



LEFROY BROOKS

1 8 2 8 T R O U T M A N S T R E E T
R I D G E W O O D N E W Y O R K N Y 1 1 3 8 5 U S A
T: +1(718) 302 5292 F: +1(718) 302 4177

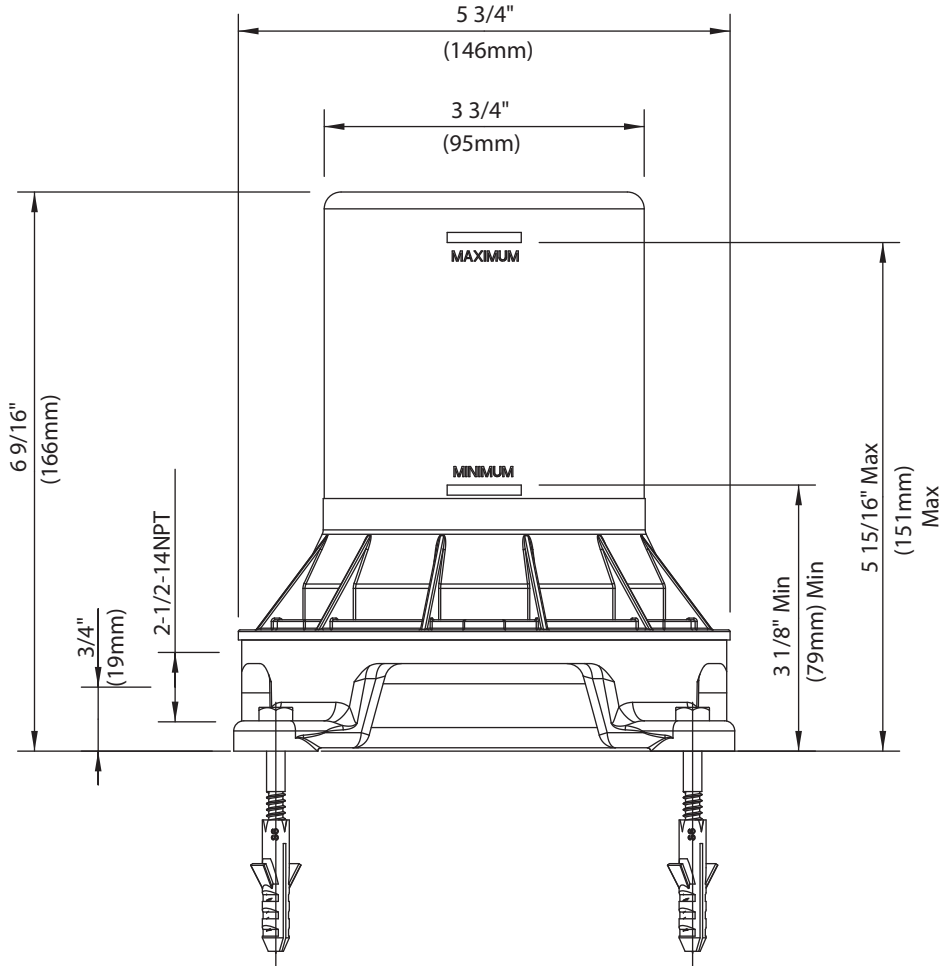
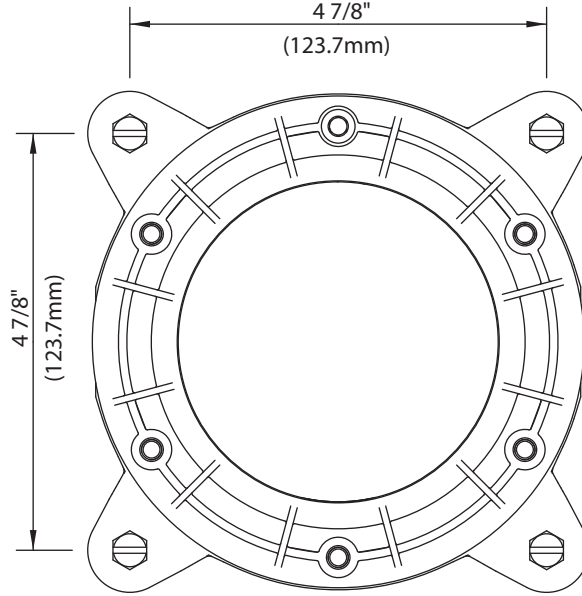
R1-4210

SINGLE-LEG BATH/SHOWER MIXER ROUGH, TO SUIT K1-2300,
K1-2301, X1-1080, X1-1085

DIMENSIONAL DATA SHEET

DATE: 27 January 2016

No: A661039



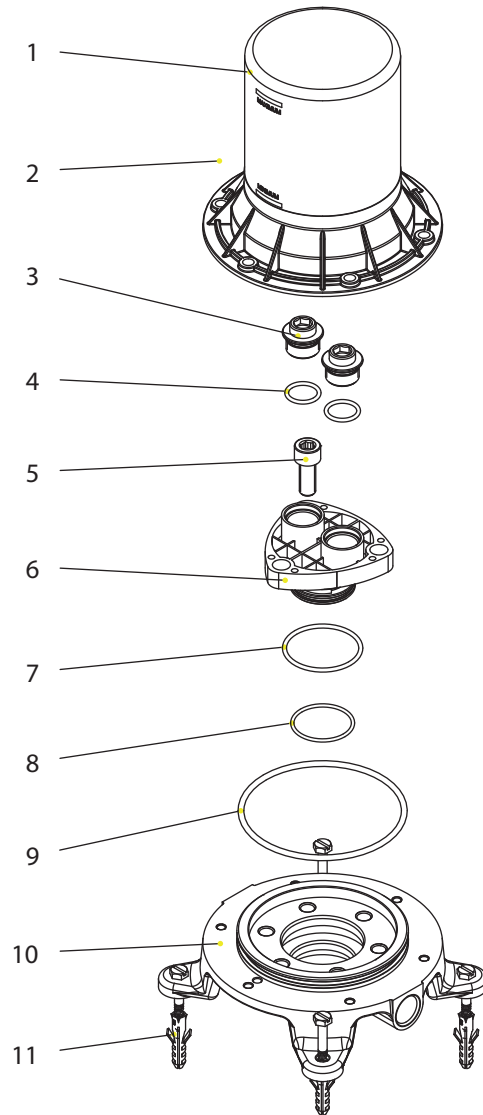
COPYRIGHT © LBIP LTD 2012. ALL RIGHTS RESERVED.

DIMENSIONS IN INCHES & MILLIMETRES

WHILST EVERY EFFORT IS MADE TO ENSURE THE ACCURACY OF THESE DATA SHEETS THEY ARE SUBJECT TO CHANGE WITHOUT NOTICE AS PART OF THE COMPANY'S PRODUCT DEVELOPMENT PROCESS

R1-4210

SINGLE-LEG BATH/SHOWER MIXER ROUGH, TO SUIT K1-2300, K1-2301, X1-1080, X1-1085



- 1 Protective Cap (045246-50)
- 2 Screw (008181)
- 3 Adapter (028601)
- 4 O-ring (072056)

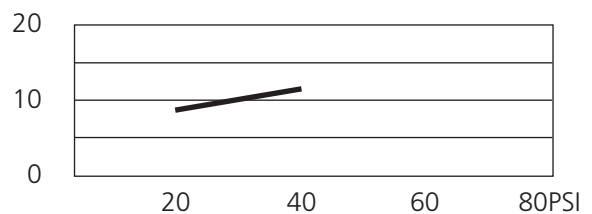
- 5 Screw (008182)
- 6 Plastic Body (066552)
- 7 O-ring (004566)
- 8 O-ring (072088)

- 9 O-ring (004653)
- 10 Body (076702)
- 11 Fixing kit (290610)

Standards

IAPMO/cUPC Listed
Meets A112.18.1

Flow Rate



Please note :

Final achievable flow rate is dependent on the outlets fitted, see relevant outlets (spouts, roses, sprays) for fully assembled product flow rate.